

## LED SIDEMARKER LAMPS

### NO SCREW HOLES VISIBLE

- Single functions lamps - sidemarker, position front and position back
- Easy mounting in a frame - no visible screws
- 2 light diodes and with reflex reflector, ultra narrow in design
- Multiple choice of brackets for mounting
- Variety for flexible mounting - connection with Super Seal, Click in or Open end



#### TECHNICAL SPECIFICATIONS

- Connections
  - cable with Open end ( 200 and 500 cm)
  - cable with Click-In ( 50, 150 and 500 cm)
  - through Super Seal (build in the lamp)
- Dimension (LxWxD):  
105 x 26 x 15 mm
- Working temperature: -40°C to +65°C
- Tightness: IP69K
- Operation voltage: 12/24V

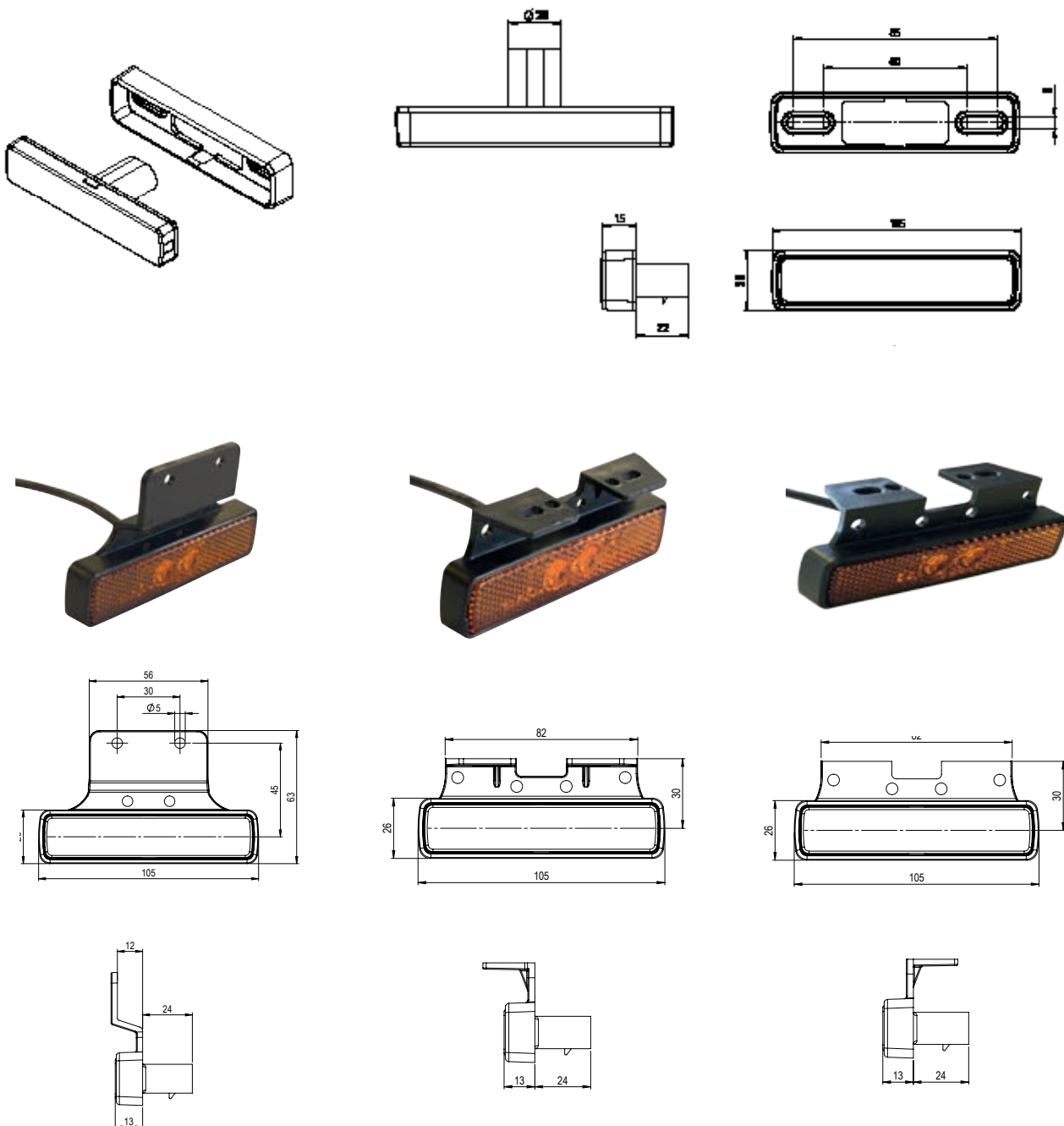
#### APPROVALS

- ADR
- E-Approval
- EMC R10

## TECHNICAL SPECIFICATIONS

### Measurement

Brackets - Single frame, straight bracket, angled bracket forwards, angled bracket backwards



## LED Sidemarker- and Position lamps - 12/24V Variants - connection and mounting possibilities

**ERMAX<sup>®</sup>**

Description			
Variants - connection and mounting	Sidemarker amber	Position front white	Position back red
Build in "Super Seal" standard frame	<b>098 221 726</b> 92.0000.6011	<b>098 230 726</b> 92.0000.6028	<b>098 204 726</b> 92.0000.6005
Build in "Super Seal" straight bracket	<b>098 221 742</b> 92.0000.6018		
Build in "Super Seal" 90° bracket backwards	<b>098 221 748</b> 92.0000.6021		
Build in "Super Seal" 90° bracket forwards	<b>098 221 756</b> 92.0000.6024		
50 cm ADR cable "Click-in" standard frame	<b>098 221 720</b> 92.0000.6008	<b>098 230 720</b> 92.0000.6024	<b>098 204 720</b> 92.0000.6002
150 cm ADR cable "Click-in" standard frame	<b>098 221 722</b> 92.0000.6009	<b>098 230 722</b> 92.0000.6025	<b>098 204 722</b> 92.0000.6003
500 cm ADR cable "Click-in" standard frame	<b>098 221 724</b> 92.0000.6010	<b>098 230 724</b> 92.0000.6026	<b>098 204 724</b> 92.0000.6004
50 cm ADR cable "Click-in" straight bracket	<b>098 221 738</b> 92.0000.6016		
150 cm ADR cable "Click-in" straight bracket	<b>098 221 740</b> 92.0000.6017		
50 cm ADR cable "Click-in" 90° bracket backwards	<b>098 221 744</b> 92.0000.6019		
150 cm ADR cable "Click-in" 90° bracket backwards	<b>098 221 746</b> 92.0000.6020		
50 cm ADR cable "Click-in" 90° bracket forwards	<b>098 221 752</b> 92.0000.6022		
150 cm ADR cable "Click-in" 90° bracket forwards	<b>098 221 754</b> 92.0000.6023		
50 cm ADR cable "Open end" standard frame	<b>098 221 730</b> 92.0000.6012	<b>098 230 730</b> 92.0000.6029	
250 cm ADR cable "Open end" standard frame	<b>098 221 732</b> 92.0000.6013	<b>098 230 732</b> 92.0000.6030	<b>098 204 732</b> 92.0000.6006
500 cm ADR cable "Open end" standard frame	<b>098 221 734</b> 92.0000.6014	<b>098 230 734</b> 92.0000.6031	<b>098 204 734</b> 92.0000.6007
1000 ADR cable "Open end" standard frame	<b>098 221 736</b> 92.0000.6015		



## Contact information:

**Mogens Lyhne Nielsen**  
**Internal sales, OEM**  
Complete OE Lighting Systems

**Phone: +45 39 55 02 46**  
**E-mail: mly@bpw.dk**

**Niels Fogd**  
**Export Sales Manager - Europe OEM**  
Complete OE Lighting Systems

**Phone: +45 26 79 75 55**  
**E-mail: nif@bpw.dk**

**oesales@bpw.dk**

**Torben Holm**  
**Internal sales, AEM**  
Lighting, Electrical equipment, Camera Systems

**Phone: +45 39 55 02 43**  
**E-mail: th@bpw.dk**

**Thomas Anker**  
**Export Sales Manager - Europe AEM**  
Lighting & Electrical equipment AEM

**Phone +45 23 41 56 05**  
**E-mail: tan@bpw.dk**

**sales@bpw.dk**

**www.transport-teknik.dk**