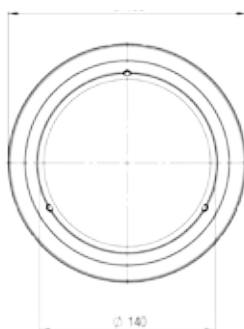


Interior Lighting LED

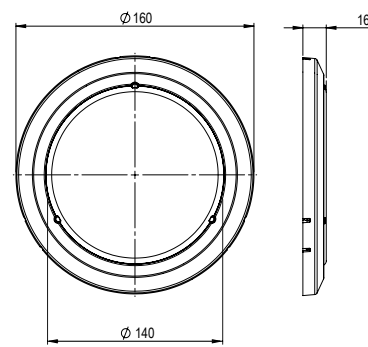
Small with large capacity for

ERMAX®

- Newest LED technology for long lifetime - clear and powerful light
- Dateless design - Easy mounting
- Various functions - flexible mounting at the roof construction
- Available for surface mounting or build-in. Build-in version is completely flush with the surface
- Frames and lamp as individual spare parts
- Delivered as open end or click-in version



Build in



Surface mounting

Build-in depth: 18 mm
EMC R10 approval

EMC

Function and features

Illuminant	IP-Rating	Lumen	Measurements	Voltage	Surface mounting	Build in	Connection	Article No.
LED	IP67	294	Ø155 x 15,7 mm	12/24V	✓		1.500 mm cable with click-in	098 274 070 92.0000.6612
LED	IP67	294	Ø155 x 15,7 mm	12/24 V	✓		2.500 mm cable with Open end	098 274 071 92.0000.6613
LED	IP67	294	Ø218 x 20 mm	12/24V		✓	1.500 mm cable with click-in	098 274 072 92.0000.6614
LED	IP67	294	Ø218 x 20 mm	12/24 V		✓	2.500 mm cable with Open end	098 274 073 92.0000.6615
LED	IP67	294	Ø218 x 20 mm	12/24 V	✓		300 mm cable with Open end	098 274 074
LED	IP67	294	Ø218 x 20 mm	12/24 V		✓	300 mm cable with Open end	098 274 075

Spare parts

Bowl for interior LED lamp, Dimensions: Build in Ø175 mm, outside Ø218 mm

098 291 070
92.0000.6671