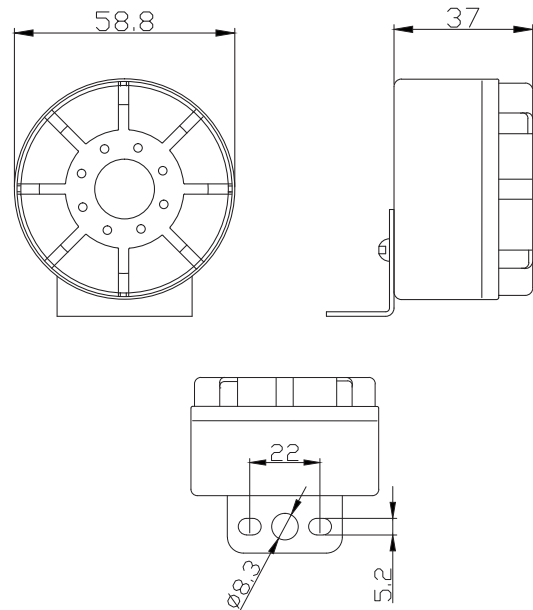


Reversing Alarm - additional security



SMALL, NOISY AND ADR APPROVED

- Small and extremely robust reversing alarm
- Reversing alarm that actively helps to avoid accidents when reversing - warning tone is sent as soon as the vehicle is backing
- Easy and quick mounting by 2 poled Super Seal connector
- Several mounting options
 - directly on the mounting bolts at the back of the rear light (hole \varnothing 8,3 mm)
 - directly connected to the new Ermax TM10 rear lights with Super Seal connections
 - directly in the Junction Box with Super Seal connector
- Volume 108 dB
- ADR approved



Black polycarbonate housing with galvanized mounting bracket
 Cycle 60/min
 Distance between mountingholes : 22 mm (hole \varnothing 5,2 mm)



Function and features							
IP Rating	Volume	Frequency range	Consumption	Voltage	Measure	Connection	Article No.
IP54	108 dB	2,6 kHz	10W	12/24V	58,8 x 37 mm	250 mm cable with Super Seal plug	090 450 350 92.0000.6857